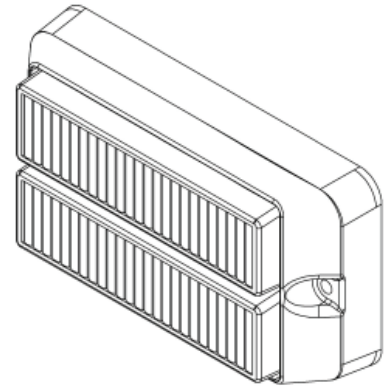


Installation and Operation Instructions

LED School Bus Light

The 3700 LED school bus light is a fully sealed unit. It can be driven by any Hazard Systems bus light flashers. Two wire connection (power and ground) make the unit simple to install.

Additional benefits of Hazard Systems LED bus lights include low current draw, a long and maintenance free service life with reliable solid-state operation and extremely low electromagnetic emissions. The LED heads are available in 12V and 24V versions.



WARNING!

Failure to install or use this product according to manufacturer's recommendations may result in property damage, serious bodily/personal injury, and/or death to you and those you are seeking to protect!



Do not install and/or operate this safety product unless you have read and understand the safety information contained in this manual.

1. Proper installation combined with operator training in the use, care, and maintenance of emergency warning devices are essential to ensure the safety of you and those you are seeking to protect.
2. Exercise caution when working with live electrical connections.
3. This product must be properly grounded. Inadequate grounding and/or shorting of electrical connections can cause high current arcing, which can cause personal injury and/or severe vehicle damage, including fire.
4. Proper placement and installation are vital to the performance of this warning device. Install this product so that output performance of the system is maximised and the controls are placed within convenient reach of the operator so that s/he can operate the system without losing eye contact with the roadway.
5. It is the responsibility of the vehicle operator to ensure during use that all features of this product work correctly. In use, the vehicle operator should ensure the projection of the warning signal is not blocked by vehicle components (i.e., open trunks or compartment doors), people, vehicles or other obstructions.
6. The use of this or any other warning device does not ensure all drivers can or will observe or react to a warning signal. Never take the right-of-way for granted. It is your responsibility to be sure you can proceed safely before entering an intersection, driving against traffic, responding at a high rate of speed, or walking on or around traffic lanes.
7. This equipment is intended for use by authorized personnel only. The user is responsible for understanding and obeying all laws regarding warning signal devices. Therefore, the user should check all applicable city, state, and federal laws and regulations. The manufacturer assumes no liability for any loss resulting from the use of this warning device.

Contents:

1 x 3700 Series Bus Light
1 x Installation and Operating Instructions
1 x Mounting gasket
2 x Front mounting screws (# 8 x 1" Taptite)
4 x Rear mounting screws (# 8 x 1/2" Taptite)
2 x Male crimps
1 x Male connector
2 x Female crimps
1 x Female connector

Specifications:

Size: 129.6mm length, 69mm width, 35mm height
Input Voltage: 830-106A: 12 VDC (9-16V)
830-107A: 24 VDC (18-32V)
Current Draw: 830-106A: 0.7A average, 1.4A peak
830-107A: 0.35A average, 0.7A peak
Operating temperature range: -30 to +50 °C

Installation & Mounting:

Before installation, examine the LED heads for transit damage. Do not use damaged or broken parts.

Important! This unit is a safety device and it must be connected to its own separate, fused power source to assure its continued operation should any other electrical accessory fail.

Caution: When drilling into any vehicle surface, make sure the area is free from any electrical wires, fuel lines, vehicle upholstery, etc. that could be damaged.

Mounting:

The 3700 LED bus lights can be mounted to the surface by either screwing through the two front-mounting bosses or screwing into two or more of the four rear-mounting bosses. The LED heads can be stacked vertically or horizontally to provide higher intensity where required.

1. The 3700 series LED bus lights should be mounted to a flat surface or one with the least amount of curvature. The mounting location should be in accordance with the relevant state school bus standards.
2. Using the supplied mounting gasket as a template, mark the drill hole locations on the mounting surface for either front or rear mounting. Details of the hole locations are also given in Figure 1.

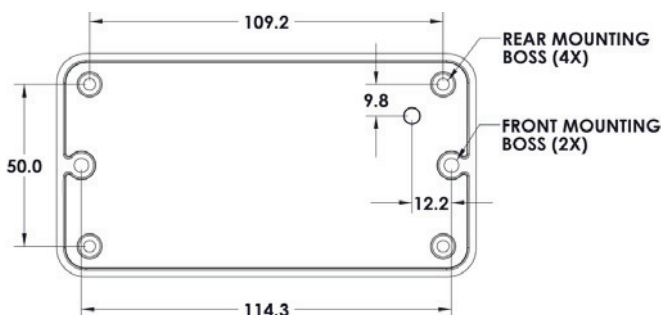
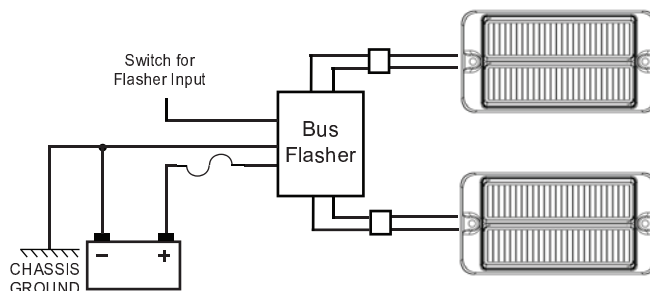


Figure 1 – Rear of LED head. Dimensions are in mm.

3. If mounting using the front bosses, drill mounting holes using a 3.5mm [# 28] drill bit. When mounting with the rear bosses drill the mounting holes using a 5mm [# 8] drill bit.
4. Drill a 10mm hole for the wires protruding from the rear of the unit at the location in Figure 1. Remove any sharp edges from this hole.
5. Mount the LED Head along with the mounting gasket, routing the wires through the 10mm hole and use additional grommets or cable protection as necessary to protect the wiring from any sharp edges. Secure the LED head to the surface using the # 8 self-tapping screws as supplied.

Wiring Instructions:

The 3700 Bus Light must be connected to a compatible bus flasher unit. Connect one wire to positive and the other wire to vehicle ground. Polarity is not important.



AUSTRALIAN
warning
systems 

14-16 Wedgewood Road,
Hallam, Victoria, 3803
AUSTRALIA
Phone: (03) 9796 5880
Facsimile: (03) 9796 5885
www.warningssystem.com.au
ABN: 41 075 609 853